

# SPC-2145X

Ultra Compact Embedded System with Quad Core Intel® Atom™ E3845, 2 Gigabit LAN, External SIM Socket, 4 USB 3.0, 4 COM, Fanless, Rugged, Extended Temperature



## Features

- Quad Core Intel® Atom™ E3845 1.91GHz Processor
- Rugged, -25°C to 70°C Operating Temperature
- Fanless and Ultra-compact
- 6V to 36V DC Power Input
- DVI-I for VGA/ DVI/ HDMI Video Output
- Dual Independent Gigabit LAN
- 1 External SIM Socket for 3G/ 4G/ LTE/ WiFi/ GPRS/ UMTS
- 4 External USB 3.0
- 4 COM RS-232/ 422/ 485 with Auto Flow Control



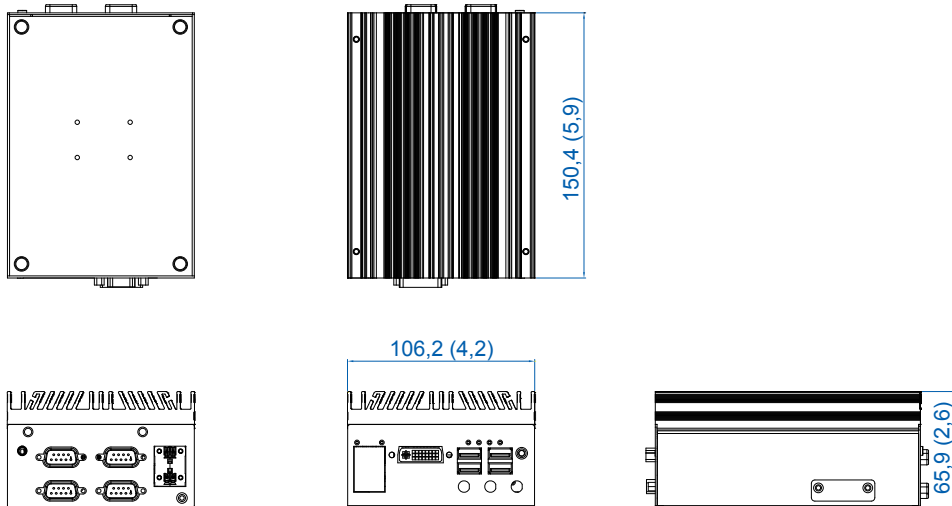
## Specifications

System	
<b>Processor</b>	Quad Core Intel® Atom™ E3845 1.91GHz Processor (Valleyview)
<b>Chipset</b>	Intel® SoC (Bay Trail)
<b>BIOS</b>	AMI
<b>SIO</b>	IT8786E
<b>Memory</b>	1 DDR3L 1333MHz SO-DIMM, up to 8GB
I/O Interface	
<b>Serial</b>	4 COM RS-232/ 422/ 485
<b>USB</b>	4 USB 3.0
<b>LED</b>	Power, HDD, WTD
<b>SIM Card</b>	1 External SIM Card Socket
Expansion	
<b>Mini PCIe</b>	2 Mini PCIe Socket : <ul style="list-style-type: none"> <li>▪ 1 Mini PCIe for PCIe/ USB/ External SIM Card</li> <li>▪ 1 Mini PCIe for PCIe/ USB/ Optional mSATA</li> </ul>
Graphics	
<b>Graphics Processor</b>	Intel® HD
<b>Interface</b>	DVI-I for VGA/ DVI/ HDMI output : <ul style="list-style-type: none"> <li>▪ DVI : Up to 1920 x 1080</li> <li>▪ VGA : Up to 2560 x 1600</li> </ul>
Storage	
<b>SATA</b>	1 SATA II (3Gbps)
<b>mSATA</b>	1 SATA II (Mini PCIe Type, 3Gbps)
Audio	
<b>Audio Codec</b>	Realtek ALC888S-VD, 7.1 Channel HD Audio
<b>Audio Interface</b>	1 Line-out
Ethernet	
<b>LAN 1</b>	Gigabit LAN by Intel® I210
<b>LAN 2</b>	Gigabit LAN by Intel® I210
Power	
<b>Power Input</b>	6V to 36V, DC-in
<b>Power Interface</b>	2-pin Terminal Block : V+, V-
<b>Remote Switch</b>	2-pin Terminal Block : On, Off

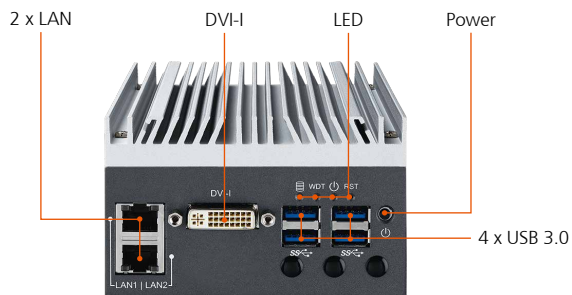
Others	
<b>Watchdog Timer</b>	Reset : 1 to 255 sec./min. per step
<b>Smart Management</b>	Wake on LAN, PXE supported
<b>HW Monitor</b>	Monitoring temperature, voltages. Auto throttling control when CPU overheats.
Software Support	
<b>OS</b>	Windows 8, Windows 7, Linux
Mechanical	
<b>Dimensions (W x L x H)</b>	106mm x 150.4mm x 65.9mm (4.2" x 5.9" x 2.6")
<b>Weight</b>	1.4 kg (3.1 lb)
<b>Mounting</b>	<ul style="list-style-type: none"> <li>▪ Wallmount by mounting bracket</li> <li>▪ DIN Rail Mount (Optional)</li> </ul>
Environment	
<b>Operating Temperature</b>	-25°C to 70°C (-13°F to 158°F)
<b>Storage Temperature</b>	-40°C to 85°C (-40°F to 185°F)
<b>Humidity</b>	5% to 95% Humidity, non-condensing
<b>Relative Humidity</b>	95% @ 70°C
<b>Shock</b>	<ul style="list-style-type: none"> <li>▪ IEC 60068-2-27</li> <li>▪ SSD : 50G @ wallmount, Half-sine, 11ms</li> </ul>
<b>Vibration</b>	<ul style="list-style-type: none"> <li>▪ IEC 60068-2-64</li> <li>▪ SSD : 5Grms, 5Hz to 500Hz, 3 Axis</li> </ul>
<b>EMC</b>	CE, FCC, EN 50155, EN 50121-3-2

## Dimensions

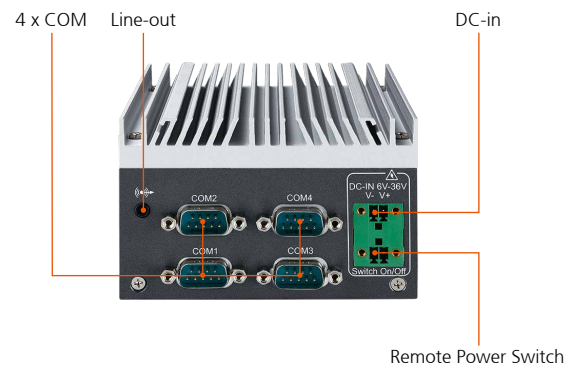
Unit : mm/ inch



## Front I/O



## Rear I/O



## Order Information

<b>SPC-2145X</b>	SPC-2145 Ultra-compact Embedded System, 2 GbE LAN, 4 COM, 4 USB, 1 External SIM, Onboard Quad Core Intel® Atom™ E3845
<b>DDR3L4G</b>	Certified DDR3L-1600 4G RAM
<b>DDR3L8G</b>	Certified DDR3L-1600 8G RAM
<b>PWA-60WP2</b>	60W, 24V/2.5A 100V AC to 240V AC Power Adapter for 2-pin 3.5mm Terminal Block
<b>DIN-RAIL</b>	DIN Rail Kit
<b>3G Module</b>	Mini PCIe 3G/GPS Module with Antenna
<b>4G Module</b>	Mini PCIe 4G/GPS Module with Antenna
<b>WiFi &amp; Bluetooth Module</b>	Intel® Mini PCIe WiFi & Bluetooth Module with Antenna